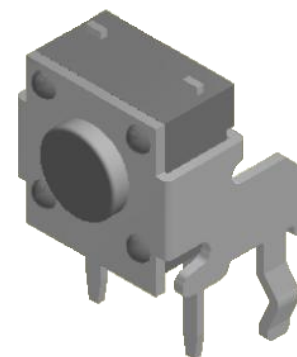


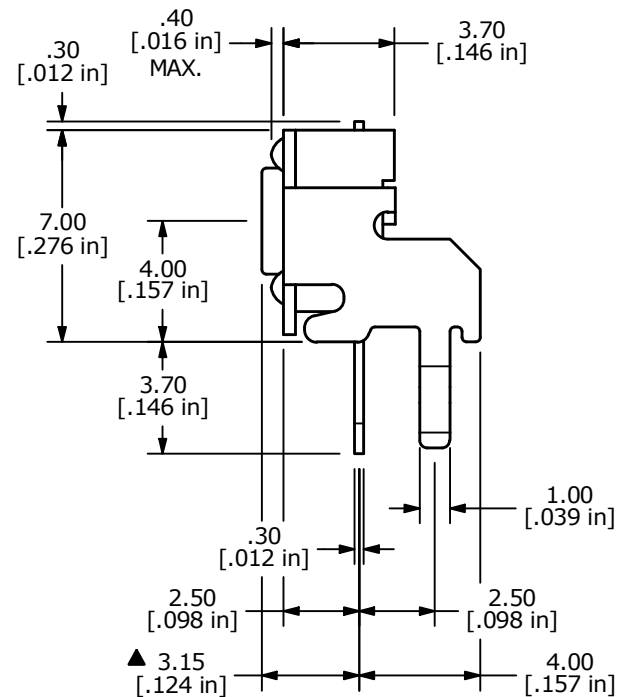
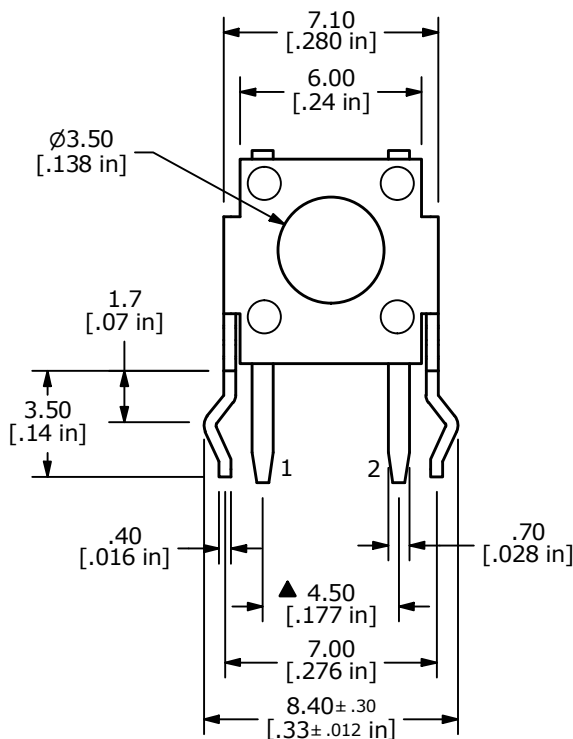
▲ ACTUATOR  
COLOR: DARK GRAY



▲ CIRCUIT: SPST

NOTES:

1. ALL DIMENSIONS IN MM
2. GENERAL TOLERANCE: X.X = ±0.4  
X.XX = ±0.25
3. TERM. NOS. FOR REFERENCE ONLY.
4. RATING: 12VDC, 50mA
- ▲ 5. OPERATING FORCE: 100 ±50 gf
6. TRAVEL: 0.25 +0.2/-0.1 mm
7. CONTACT RESISTANCE: 50 MILLI OHMS MAX. (INITIAL)
8. MECHANICAL/ELECTRICAL LIFE 100,000 CYCLES MIN.
- ▲ 9. CONTACT MATERIAL: SILVER
10. ▲ DENOTES CRITICAL PARAMETER
11. OPERATING TEMP: -40°C TO 85°C



E	24741	add 7.00mm and .30mm dimensions	2/10/21	MW
D	24551	REMOVE STEP IN HOUSING, CHANGE TEMP	10/29/20	JM
C	20192	CORRECT ACTUATOR COLOR 7 CIRCUIT	5/26/17	MW
B	19502	CHANGED TOLERANCE	12/08/10	BGL
A	12370	RELEASED FOR PRODUCTION	12/10/02	CJB
REV	PCR NO	DESCRIPTION	DATE	BY



TITLE TL1105WF100Q

THE INFORMATION CONTAINED IN THIS DOCUMENT IS PROPRIETARY TO E-SWITCH AND IS NOT TO BE COPIED OR TRANSFERRED

SCALE	DATE	DR	DWG	REV
4:1	12/10/2002	CJB	P021221	E